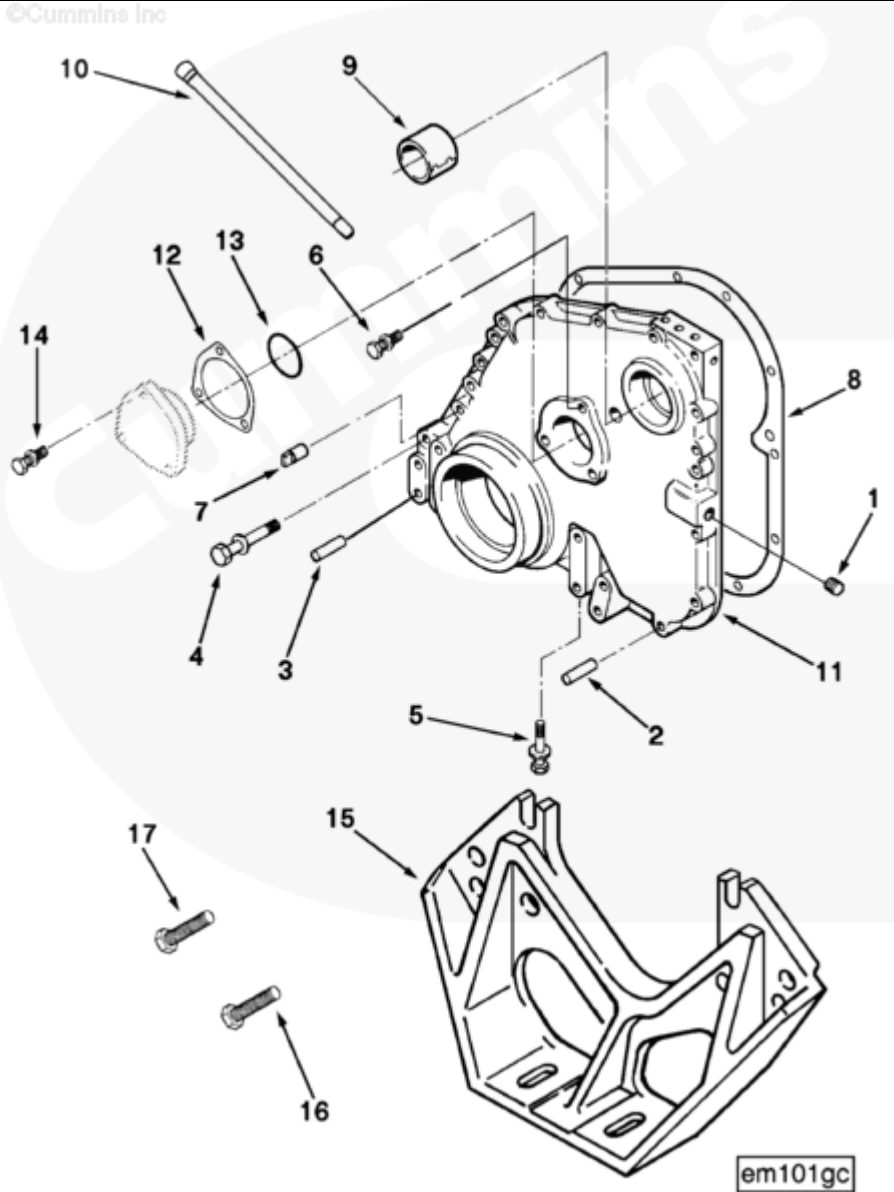




# Parts Catalog - Option Detail

Electronic Parts Catalog - Option Detail				
Option	Group	Graphic	Film Card	Date
EM1084	01.06	em101gc	F	15-NOV-92
<b>Engines</b>	NH/NT 855, NT495, NT743, NTA855 N106			



em101gc

[SMALL](#) | [MEDIUM](#) | [LARGE](#)

Cart	Ref No	Part Number	Part Description	Required	Remarks
<a href="#">View My Cart</a>					
		<a href="#">EM1084</a>	Engine Mounting		

					Engine Mounting
					Gear cover with vertical
					mounting pads and mounting
					parts for front support. Two
					bolt pad type front support
					included.
<input type="checkbox"/>	1	S 911 B	Pipe Plug	1	1/8 NPT
<input type="checkbox"/>	2	60408	Pin Dowel	1	
<input type="checkbox"/>	3	3013786	Pipe Plug	1	3/8 NPT.
<input type="checkbox"/>	4	3011712	Captive Washer Cap Screw	9	7/16 - 20 x 2 3/16 inch
<input type="checkbox"/>	5	3011713	Captive Washer Cap Screw	1	7/16 - 20 x 2 5/8 inch
<input type="checkbox"/>	6	3011714	Captive Washer Cap Screw	3	7/16 - 20 x 3 inch
<input type="checkbox"/>	7	70653	Diamond Dowel	1	
<input type="checkbox"/>	8	3067618	Gear Cover Gasket	1	
<input type="checkbox"/>		3024442	Gear Cover	1	
<input type="checkbox"/>	9	132770	Bushing	1	
<input type="checkbox"/>	10	210416	Lubricating Oil Transfer Tube	1	
<input type="checkbox"/>	11	210713	Gear Cover	1	
<input type="checkbox"/>	12	65259 A	Shim	1	.010 inch
<input type="checkbox"/>	12	65259 B	Shim	1	.005 inch
<input type="checkbox"/>	12	65259 C	Shim	1	.020 inch
<input type="checkbox"/>	12	185573	Shim	1	.025 inch
<input type="checkbox"/>	13	215705	O-Ring Seal	1	
<input type="checkbox"/>	14	3011715	Captive Washer Cap Screw	3	3/8 - 16 X 1 3/16 in.
<input type="checkbox"/>	15	3063029	Front Engine Support	1	
<input type="checkbox"/>	16	3058664	Hexagon Head Cap Screw	2	7/16 - 20 x 2 1/2 in.
<input type="checkbox"/>	17	3054889	Hexagon Flange Head Cap Screw	6	7/16 - 20 x 2 3/4 in.